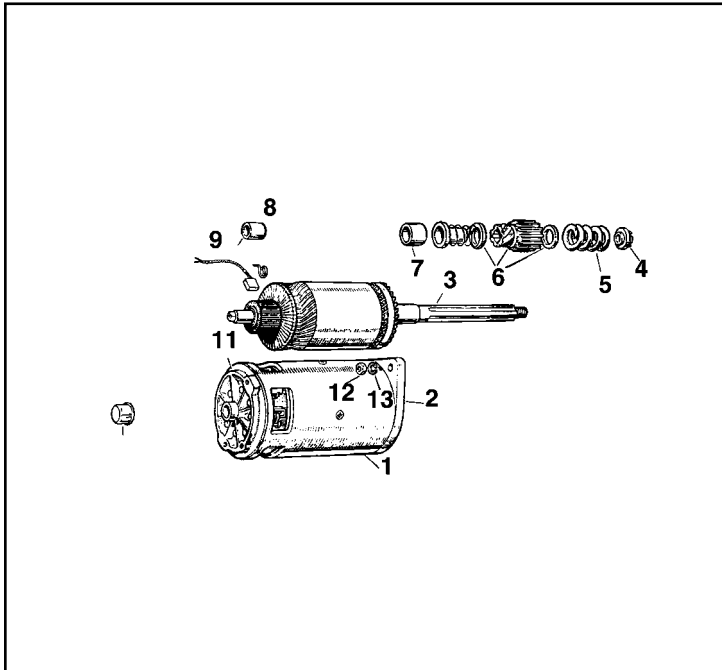


Starter



STARTER MOTOR

Ref #	Description	Qty	Part #
1	SERIES I, (1955-58), II, IIA, III 4 & 6 CYLINDER, REBUILT	1	161
1	SERIES I, II & IIA DIESEL, REBUILT	1	2090
2	Bracket, Drive end	1	*NLA 1463
3	Armature for 161	1	164
3	Armature for 160	1	3071
4	Nut for Pinion	1	*NLA 1995
5	Large Pinion Spring (all petrol)	1	298
6	Pinion & Sleeve	1	*NLA 738
6	Pinion & Sleeve, Diesel	1	*NLA 2047
7	Bush, Pinion end	1	2025
not shown	Bush Kit Pet. Starter	1	2002
8	Bush, Commutator end - all	1	2001
9	Spring Set (M418G)	1	*NLA 5482
	Brush & Spring Set (2M100)	1	3072
	Brush & Spring Set (Diesel)	1	1934
11	Bracket, Commutator (end)	1	1461
12	Nut, 3/8 UNF	2	1502
13	Spring Washer	2	3096
not shown	Sundry Parts Kit	1	1465
not shown	Cup for Armature	1	7588
not shown	Circlip for Shaft	1	7587
not shown	Retaining Kit for Pinion (M418G)	1	739
not shown	Retaining Kit for Pinion (2M100)	1	3101
not shown	Bolt Fixing Starter	2	*NLA 2911
not shown	Self Locking Nut for Bolt	2	1389
not shown	Flywheel Ring Gear	1	69
not shown	STARTER SOLENOID PETROL* 1 5791		
not shown	STARTER SOLENOID, DIESEL 1 1898		

*Solenoid Mounted on Firewall for Suffix "D" on 4-6 cylinder & Series III.

***NLA = No longer available.**

HEATING & COOLING SYSTEM

Description	Qty	Part #
RADIATOR		
RADIATOR ASSEMBLY, ALL	1	6377
(Requires use of latest style Radiator hoses '69 on)		
Radiator Cap, Two Ear type, 9 lb	1	5741
Radiator Drain Tap	1	4067
Radiator Plug	1	5600
Chain for Filler Cap	1	211
Cap, Radiator Overflow bottle	1	6372
Flushing T	1	8196
Hose Clamp, Radiator (2 per hose)	6	6271
HOSES		
	TOP	BOTTOM INTER
Hose, Radiator, 2-1/4 Petrol '69 on	5979	5978 1564
Hose, Radiator, 2-1/4 '61-'68	1229	1350 1564
Hose, Radiator, 2-1/4 '58-'60	848	*NLA 761 1564
Hose, Radiator, 2 Litre '53-'58	53	71 70
Hose, Radiator, 2.6 Litre, all	*NLA 7601	5946 588
Hose Clamp, Stainless Steel, (2 per hose)	6271	6271 6271
HEATER PARTS		
HEATER CORE, 1968 ON	1	3611
Heater Blower Motor, '68 on	1	*NLA 7508
Heat Control Valve, Series III	1	7614
(to fit IIA, need part #7615 & #7616)		
Fitting, Heater Valve to Block	1	7615
Compressible Washer, Seals 7615	1	7616
Heater Hose Clamps	as needed	7613
Intake Grill, IIA & III, Side Mounted	1	5988
Switch, 3 position Toggle	1	5650
Heater Hose Fitting Series III, Rear of Cylinder Head	1	7618
Heater Hose Fitting, Metric Thread, Rear of Cylinder Head	1	*NLA 7627
Cable Clamp, Inner Cable, Heater Valve	1	356
Foam Seal Heater Towing	1	4906
DEFROSTER HOSE		
Flexible Hose, Fresh Air Intake, Side, '68 on	1	*NLA 7617
Defroster Hose, 6' x 1-1/4"	1	3013
Defroster Hose, 6' x 1-1/2"	1	3014
Defroster Hose, 6' x 2"	1	3020
Flexible Hose, Fresh Air, Intake, Front, 6' x 4-1/2"	1	*NLA 3016
Flexible Hose, Kodiak, 3.5" - 6'	1	7619
HEATER HOSE, IIA, '68 on		
Hose, "L" Shape, Connects Hose at Left Rear Corner	1	*NLA 7607
Hose Clamps	as needed	7613
HEATER HOSES, SERIES III		
Hose, Into and out of Heater Unit	2	7610
Hose, Tapered at Valve	1	7611
Hose, "L" shape, Pipe to Block, Left front Corner	1	7612
Hose Clamps	as needed	7613