

## CARBURETORS

Description	Qty	Part #
These sections are broken down by type of carburetor. You will need to know what carburetor you have on your vehicle to order parts. Solex & Rochester are no longer being manufactured. Parts listed for those are available on a first come first served stock only basis.		
<b>ZENITH - SINGLE BARREL CARBURETOR</b>	1	5833
(Original Equipment 1968 on 2? Litre)		
Gasket Base & Adaptor	2	1007
→ <b>ZENITH OVERHAUL KIT</b>	<b>KIT</b>	<b>5714</b>
Zenith Gasket Kit	1	5715
Adaptor, Manifold to Carburetor	1	362
Main Body	1	*NLA 376
Special Screw, Throttle	1	377
Volume Control Screw	1	*NLA 378
Spring, Control Screw	1	*NLA 379
Ball, Piston	1	380
Solenoid, (optional)	1	385
Spindle Spacer	1	5830
Washer, Plain	as needed	5831
Lever Assembly	1	5835
Clip, Linkage	1	5836
Control Rod	1	5837
Lever	1	*NLA 5838
Float, for 5833	1	6093
Clip, Choke Cable	1	291
Rubber Connector, (carburetor to air hose elbow)	1	5834
<b>ROCHESTER</b>		
→ <b>ROCHESTER OVERHAUL KIT</b>	<b>KIT</b>	<b>2152</b>
ZENITH STROMBERG - 6 cyl. IIA & III		
Carburetor	1	*NLA 4767
Washer, Joint	1	214
Washer, Union	1	1392
Jet Bearing	1	395
Joint Washer, Elbow to Carburetor	1	67
Air Cleaner Element	1	*NLA 2852
Rubber Gasket for 2852	2	2853
<b>WEBER - SINGLE BARREL CARBURETOR</b>		
Replaces the Zenith or Solex Carburetor		
<b>CARBURETOR ASSEMBLY</b>	1	2141
→ <b>OVERHAUL KIT</b>	<b>KIT</b>	<b>2142</b>
Gasket, Base 1 1007		
Gasket, Base 1 1008		
→ <b>OVERHAUL KIT, 2 BARREL</b>	<b>KIT</b>	<b>2156</b>
Jet Kit, 2 barrel	1	2149
Exhaust Manifold Block off Plate	1	*NLA 2154
Air Cleaner Element, Paper 1-3/4"	1	2155
Air Cleaner Element, Paper 2-1/2"	1	2155A

\*NLA = No longer available.

Description	Qty	Part #
<b>SOLEX CARBURETORS</b>		
Solex Carburetors are no longer being manufactured. Parts are available on a first come, first serve, in stock basis only.		
Solex Parts		
Float, Solex Carburetor #51638	1	*NLA 1322
Packing, Series I	1	1377
Stop Pin Adjusting Plate, Butterfly	1	1483
Fiber washer, Large, Carburetor 4124	1	*NLA 1514
Needle Valve, II- IIA to "H"	1	1517
Float, II & IIA, (58-67)	1	1581
Accelerator Pump	1	*NLA 1817
Plastic Packing Piece	1	1827
Special Screw, Pump	1	194
Jet, II & IIA to "H"	1	197
Jet, Economy, High Speed to "H"	1	198
Joint Washer, Pump	1	204
Special Screw, Solex Body	as needed	215
Gasket Kit, I & II, 2 Litre	1	*NLA 2064
O Ring, Choke Tube	1	*NLA 5004
<b>AIR CLEANER</b>		
Elbow, Hose to Carb "J" on	1	440
Elbow, Hose to Carb. "A" to "H"	1	441
Air Filter, Oil Bath type	1	2666
Air Cleaner Assembly	1	-
Hose, Union to Carburetor Elbow 2 Litre	1	*NLA 1298
Hose, Cleaner to Manifold, Diesel	1	6022
Clamp, for Hose Guides	2	5453
Bracket, Valve Cover, Diesel	1	8165
<b>CHOKE CABLE &amp; PARTS</b>		
Choke Cable, II & IIA, thru "C"	1	5395
Choke Cable, IIA "D" on	1	5396
Choke Cable, Series III	1	5397
Choke Cable Clip, IIA	1	381
Clip, Choke Cable		
Zenith Carburetor	1	291
Switch, Choke Cable IIA & III	1	*NLA 350
Choke Light Grounding Switch, II & IIA	1	1959
<b>FUEL FILTERS</b>		
<b>FUEL FILTER, IN LINE, IIA &amp; III</b>	1	<b>3203</b>
Filter Screen, 2-1/4 Fuel Pump	1	5293
Screen Filter, 2 Litre,		
Sediment Bowl Filter (includes seal)	1	*NLA 1497
Fuel Filter Assembly,		
Firewall Mount, Petrol	1	99577508
Fuel Filter Assembly,		
Firewall Mount, Diesel	1	8169
Fuel Filter Element, Diesel	1	1606
Rubber Seal for Element 1606	2	5722

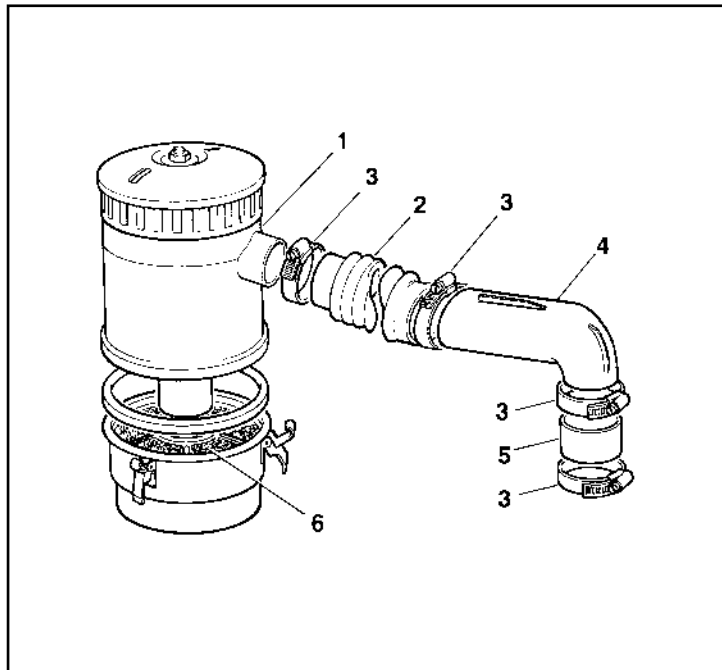
**Some items in this section may be available on a special order basis or phone-order only. Please call for pricing and availability.**

# Carburetors

## ACCELERATOR LINKAGE PARTS

Description	Qty	Part #
<b>ACCELERATOR LINKAGE</b>		
Ball End, Accelerator Lever, 2 Litre Petrol	as needed	1537
Ball End, Accelerator Lever, 2 Litre Diesel	as needed	1537
Ball End, Accelerator Lever, 2-1/4 Diesel	as needed	1537
Ball End, Cross Shaft Lever, 2-1/4 Petrol - thru "A"	as needed	1537
Ball End, Bell Crank Lever, 2-1/4 Petrol Suf. "D" on	as needed	1537
Ball End, Relay Lever, 2-1/4 Petrol thru Suf."C":	as needed	1537
Ball Joint Socket, Bell Crank to Carburetor, 2-1/4 Suf."D" on	1	1807
Ball Joint Socket, Rod from Cross Shaft to Engine 2-1/4 (58-60)	1	1807
Ball Joint Socket, Rod from Pedal Shaft to Extension Shaft, 6 cyl.	1	1807
Ball Joint Socket, All Diesel Models	as needed	1807
Ball Joint Socket, Rod Quadrant Type Hand Throttle	as needed	1807
Ball Joint Socket, Series I Accelerator Rods	as needed	749
Nut, Locking for 1807 & 749	as needed	4045
Ball Joint Socket, Rod Bell Crank to Throttle Lever, thru "C"	as needed	1198
Nut, Locking, for 1198	as needed	1192
Torsion Spring, Bell Crank 2-1/4 thru "H"	1	541
Torsion Spring, Bell Crank 2-1/4 "J" on	1	5871
Cotter Pin, Fixing Parts to Bell Crank	as needed	6871
Shaft, Accelerator Pedal	1	59
Accelerator Cabel, Diesel	1	8159
Rubber Pad, Accelerator Pedal	1	3202
Clip, Holds Rod to Lever	as needed	5836
Spindle Spacer	as needed	5830
Plain Washer	as needed	5831

**Some items in this section may be available on a special order basis or phone-order only. Please call for pricing and availability.**



## AIR CLEANER ASSEMBLY

Ref #	Description	Qty	Part #
1	Air Filter Assembly, Oil Bath	1	2666
2	Air Hose	1	7195
3	Clamp for Air Hose	2	5453
4	Elbow Carb to Air Cleaner	1	440
5	Air Inlet Hose	1	5834
6	Element for Air Cleaner	1	411